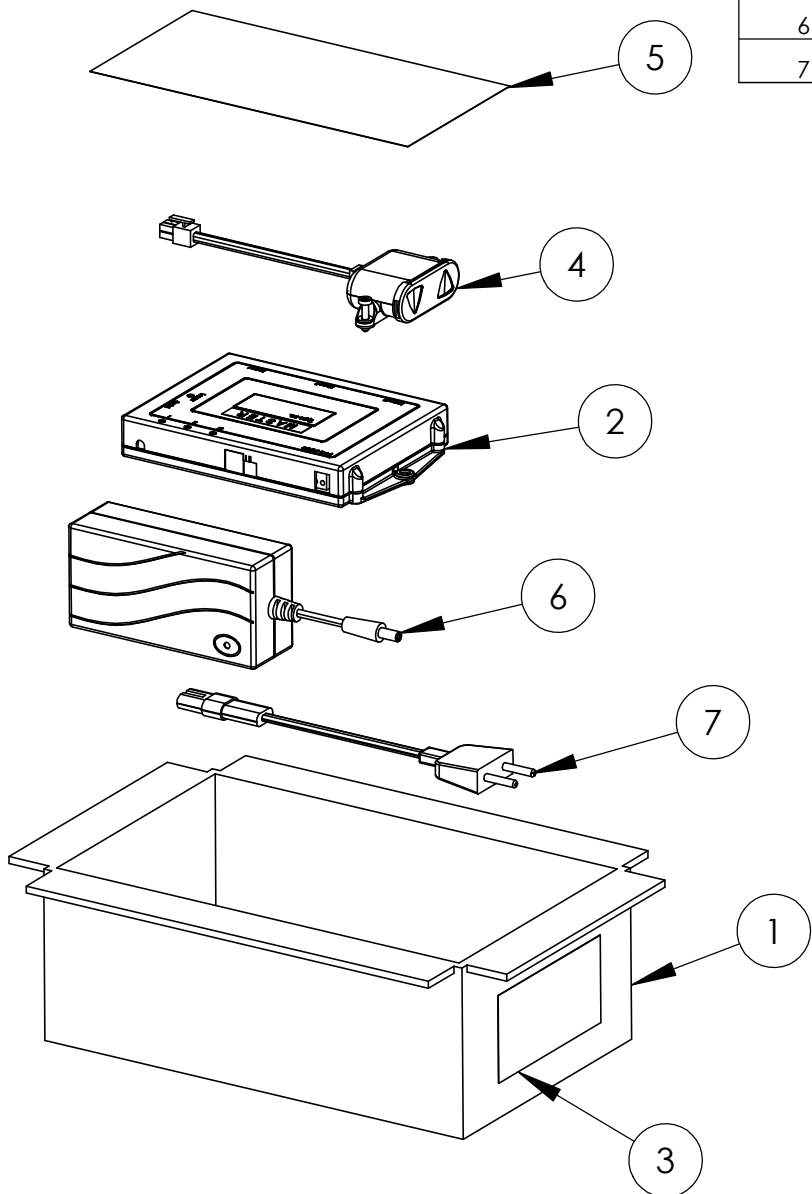


ITEM NO.	QTY.	PART NO.	REVISION	DESCRIPTION	DIN-ISO	REMARKS
1	1	313760	0	Cardboard box, 5mm K-material		Outside (LxWxH); 265x165x100
2	1	144980	0	POW Control 1-3 box		
3	1	316960	0	ID label		
4	1	139650	2	Userpanel assembly		
5	1	348220	0	User instruction		A4 sized - double side printed
6	1	342980	0	Power supply, multiple input		
7	1	316000	0	AC wire w. EU 2-pin, 1,8m		



*** Label specification

Template	316960
No. on label	7XPOWM
Description	POW Control 1-3
Bar code	5 708499 145022
Size, label	100x50mm

Tape used	clear tape

DO NOT SCALE DRAWING	SHEET 1 OF 1		VENSET A/S Nygade 63 DK-6900 Skjern Denmark
UNLESS OTHERWISE SPECIFIED: DIMENSIONS ARE IN MILLIMETERS TOLERANCES: LINEAR: According to ANGULAR: DIN 7168-m	DRAWN	NAME jo	DATE 14-06-2017
	CHECKED		
PROPRIETARY AND CONFIDENTIAL THE INFORMATION CONTAINED IN THIS DRAWING IS THE SOLE PROPERTY OF VENSET A/S. ANY REPRODUCTION IN PART OR AS A WHOLE WITHOUT THE WRITTEN PERMISSION OF VENSET A/S IS PROHIBITED.	Processes: labelling packing		TITLE: 7XPOWM
	WEIGHT:		DWG NO. 145020
			REVISION 0